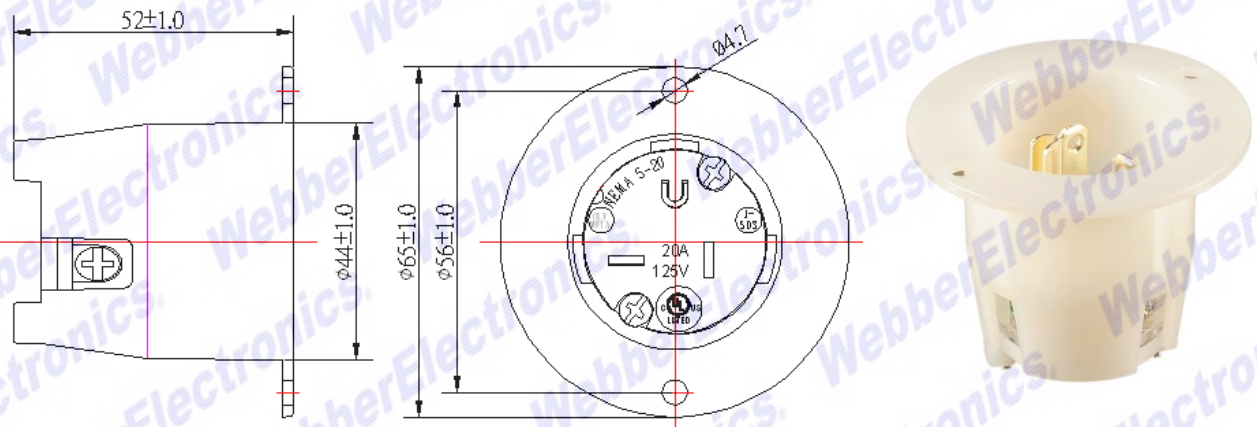


WB520FI



Product Specifications

Product Item	Flanged Inlet
Rating	2Pole,3 Wire Grounding 20A 125V AC
NEMA Configuration	5-20
Housing Material	Nylon-Natural
Blade Holder Material	Nylon-Natural
Retainer Material	Polycarbonate-Clear
Blade Material	Brass
Terminal Screw Material	#8-32 Brass
Ground Screw Material	#8-32 Brass (Green)
Flammability	V-2
Operating Temperatures	Maximum Continuous 75 °C, Minimum -40 °C (w/o impact)
Listings	UL/cUL E237606
RoHS Compliant	Yes